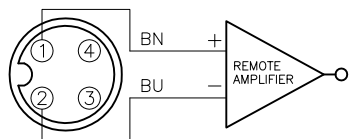


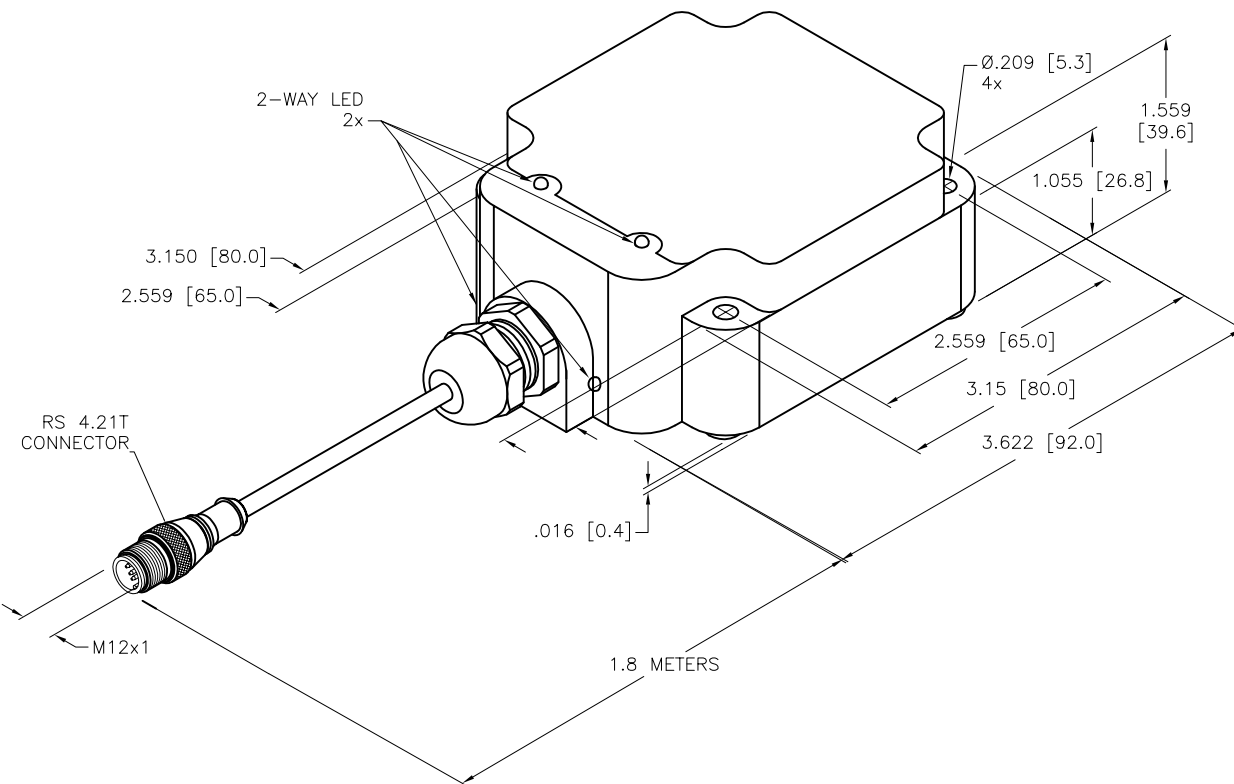
WIRING DIAGRAM



OUTPUT: Y1X

SPECIFICATIONS

RATED OPERATING DISTANCE	50mm = 1.969"
MOUNTING MODE	FLUSH
TEMPERATURE DRIFT	≤ ±10%
HYSTERESIS	1-10%
MIN. REPEAT ACCURACY	≤ 2%
OPERATING TEMPERATURE	-25°C to +70°C (-13°F to +158°F)
OUTPUT FUNCTION	2-WIRE, NAMUR
MAX. SWITCHING FREQUENCY	≤ 0.1 kHz
VOLTAGE	NOM. 8.2 VDC
CURRENT CONSUMPTION (OFF-STATE)	≥ 2.1 mA
CURRENT CONSUMPTION (OFF-STATE)	≤ 1.2 mA
APPROVAL ACCORDING TO:	KEMA 02 ATEX 1090X
INTERNAL INDUCTIVITY (L _i)/CAPACITIVITY (C _i)	250 nF/350 μH
MARKING OF DEVICE	Ⓔ II 2 G Ex ia IIC T6/ II 1 D Ex ia D 20 T95° (max. U _i =20 V, I _i = 60mA, P _i =200 mW)
WARNING	AVOID STATIC CHARGING
HOUSING STYLE	RECTANGULAR; Q80
HOUSING MATERIAL	PLASTIC, PBT-GF30-VO/BLACK
ACTIVE FACE	PLASTIC, PBT-GF30-VO/BLACK
CABLE	∅5.2, PVC, BLUE
VIBRATION RESISTANCE	55 Hz, 1 mm AMPLITUDE (IN ALL 3 PLANES)
SHOCK RESISTANCE	30 g, 11 ms
DEGREE OF PROTECTION	IP67
SWITCHING STATUS INDICATION	LED, YELLOW



SOURCE DRAWING - FOR REFERENCE ONLY

RELATED DOCUMENTS 1. 2. 3. 4.	3RD ANGLE PROJECTION 	THIS DRAWING IS CONFIDENTIAL AND THE PROPERTY OF TURCK INC. USE OF THIS DOCUMENT WITHOUT WRITTEN PERMISSION IS PROHIBITED.		3000 CAMPUS DRIVE MINNEAPOLIS, MN 55441 1-800-544-7769 (763) 553-7300 (763) 553-0708 fax www.turck.us	
	MATERIAL	ALL DIMENSIONS DISPLAYED ON THIS DRAWING ARE FOR REFERENCE ONLY	DRFT RDS DATE 03/31/10	DESCRIPTION BI50-Q80-Y1X-1.8M-RS4.21T	
FINISH	CONTACT TURCK FOR MORE INFORMATION	APVD SCALE 1=2.0	UNIT OF MEASUREMENT INCH [MILLIMETER]		IDENTIFICATION NO. 1008795
B UPDATE ID NUMBER PER HARMONIZATION PROJECT REV DESCRIPTION	CBM 11/06/17 BY DATE ECO NO.	DO NOT SCALE THIS DRAWING		FILE: 1008795	REV B SHEET 1 OF 1

B	UPDATE ID NUMBER PER HARMONIZATION PROJECT	CBM	11/06/17	
REV	DESCRIPTION	BY	DATE	ECO NO.